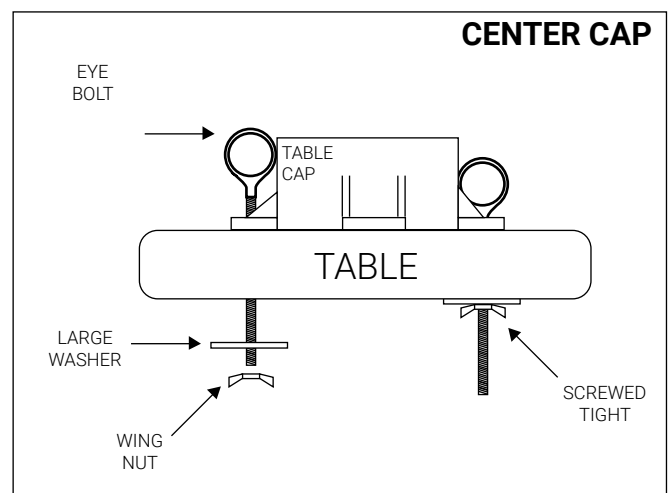
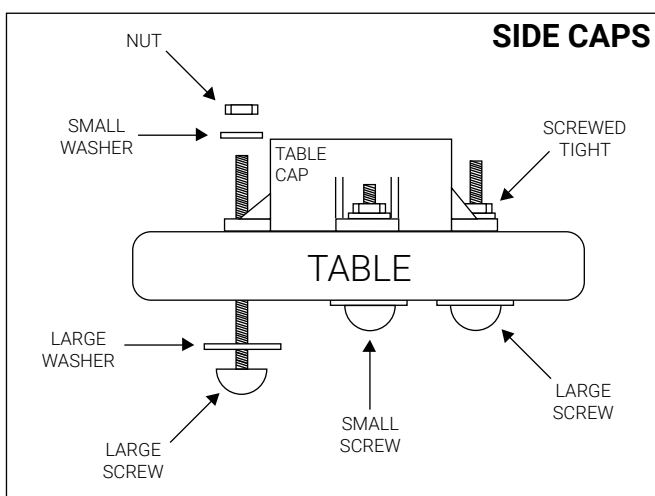
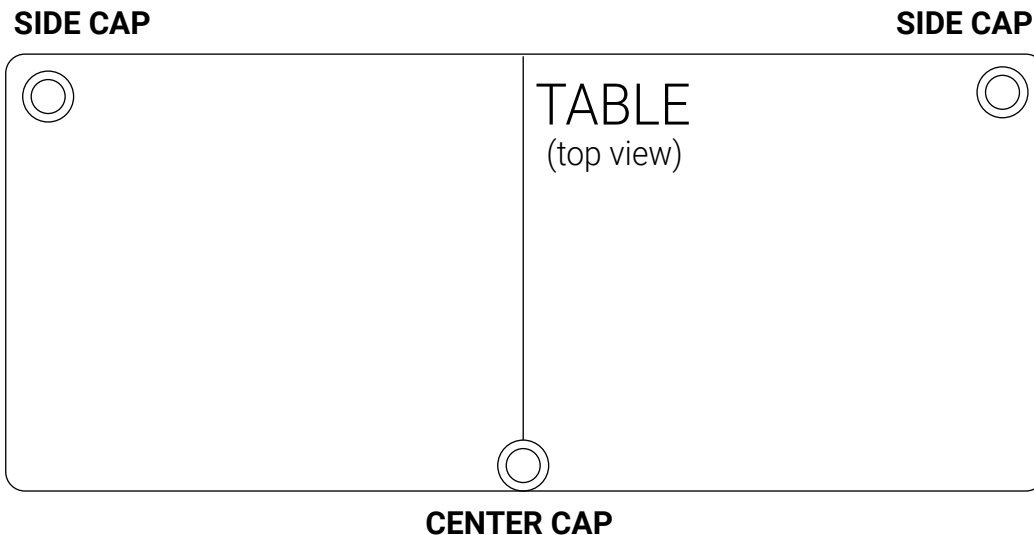


TABLE CAP INSTRUCTIONS

- Install SIDE CAPS permanently. Once installed, they can stay on the table.
- The SIDE CAP screws from the bottom of the table into the table caps (SEE IMAGE BELOW).
- The CENTER CAP used the eye-bolts & screw from the top down (SEE IMAGE BELOW).
- Remove CENTER CAP before folding the table up.



Questions? Contact us at: info@prayerstations.org